

**Franklin<sup>®</sup>**

**AGES 8+**

# SHOOT-AGAIN BASKETBALL

ITEM NUMBERS: **14043** **14043P1** **14043T191** **14043T73** **14043T77**

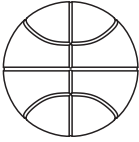
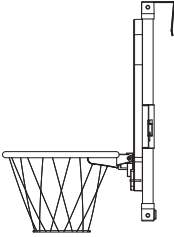
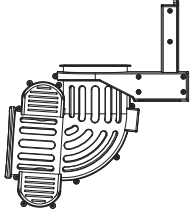
For all your replacement part needs, please visit:  
[www.franklinsports.com/14043](http://www.franklinsports.com/14043)



Made In China  
Franklin Sports Inc.  
Stoughton, MA 02072

# PARTS LIST

Click on the part below to order online.

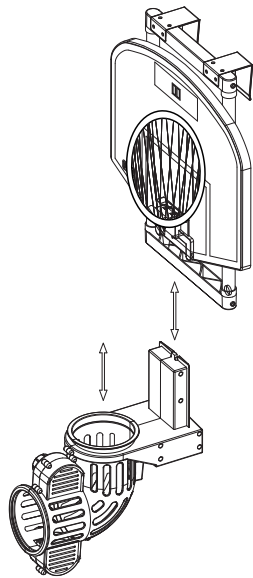
<b>1</b>		<b>2</b>		<b>3</b>	
<b>QTY</b> <b>x1</b>		<b>QTY</b> <b>x1</b>		<b>QTY</b> <b>x1</b>	
Basketball		Door Bracket		Ball Feeder	
Rep. Part: 14043Z1		Rep. Part: 14043Z2		Rep. Part: 14043Z3	

## ASSEMBLY INSTRUCTIONS

### GENERAL NOTE

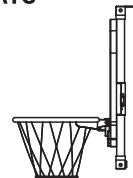
1. Find a clean place to begin the assembly of your Shoot-Again Basketball Game.
2. Remove all the parts from the box and verify that you have all of the listed parts as shown on the parts list page.

### STEP 1

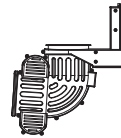


### PARTS

2



3



### NOTE

Slide the **Ball Feeder** (#3) into the **Backboard Unit** (#1).

**Franklin**

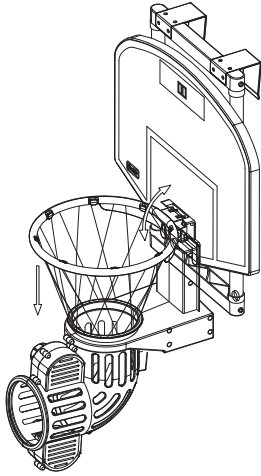
ITEM#:

**14043** **14043P1** **14043T191**  
**14043T73** **14043T77**

1

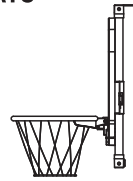
For replacement parts:  
Visit: [www.franklinsports.com/14043](http://www.franklinsports.com/14043)  
Email: [replacementparts@franklinsports.com](mailto:replacementparts@franklinsports.com)  
Call: 1-800-225-8649

## STEP 2

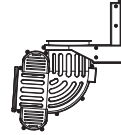


## PARTS

2



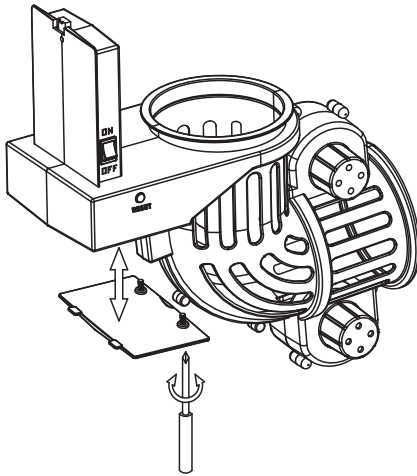
3



## NOTE

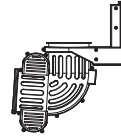
Gently pull down the rim and attach the elastic cord on the bottom of the netting to the **Ball Feeder** (#2).

## STEP 3



## PARTS

3



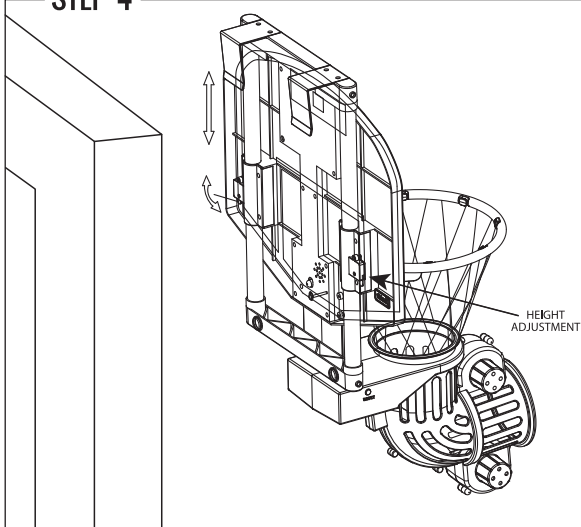
## NOTE

Unscrew the battery compartment to insert batteries. Screw battery compartment closed.

## NOTE

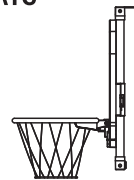
Requires 4 C size batteries (not included)  
Do not mix old and new batteries.  
Do not mix alkaline, standard (carbon-zinc), or rechargeable (nickel-cadmium) batteries.

## STEP 4

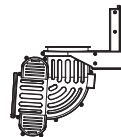


## PARTS

2



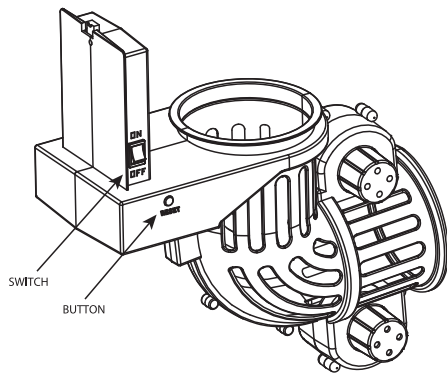
3



## NOTE

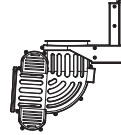
Attach to door and adjust the height by pushing the two tabs inward and sliding the tubing to the desired height.

## STEP 5



## PARTS

3



## NOTE

Turn the **ON/OFF** switch to the "**ON**" position. Hit the "**RESET**" button to start the game time clock.

# YOU ARE NOW READY TO PLAY!

**Franklin**<sup>®</sup>

ITEM#:

**14043** **14043P1** **14043T191**  
**14043T73** **14043T77**

**3**

For replacement parts:  
Visit: [www.franklinsports.com/14043](http://www.franklinsports.com/14043)  
Email: [replacementparts@franklinsports.com](mailto:replacementparts@franklinsports.com)  
Call: 1-800-225-8649